

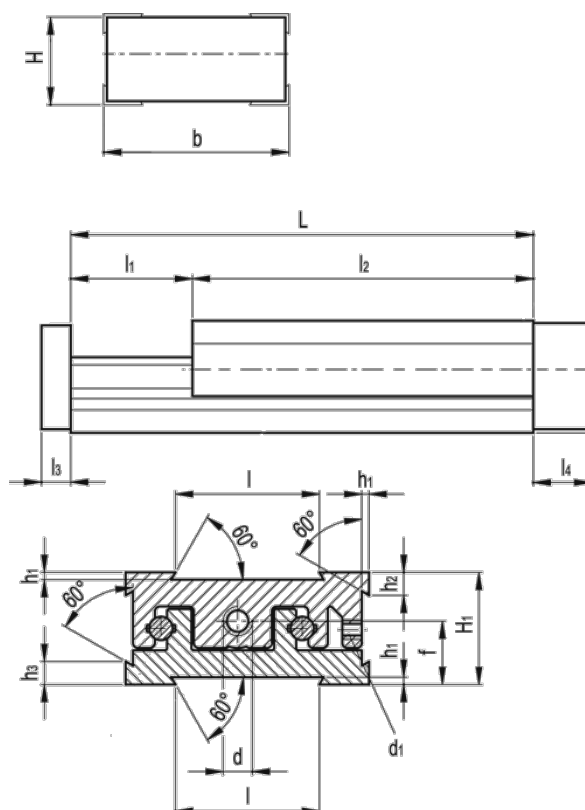
Data Sheet



Article number: 20782020

Description: Adjustable slide unit
GN 900-80-145-25-S-1

Measures



b = 80	h3 = 10.0
d = M8x1	l = 50
d1 = M5	L - l1 = 145-25
f = 20.5	l2 = 120
H = 35.5	l3 = 8
h1 = 2.0	l4 = 16
H1 = 36	
h2 = 10.0	